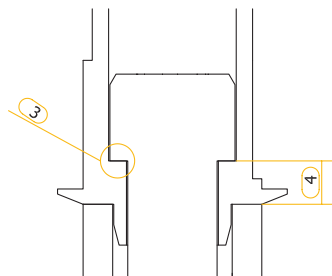
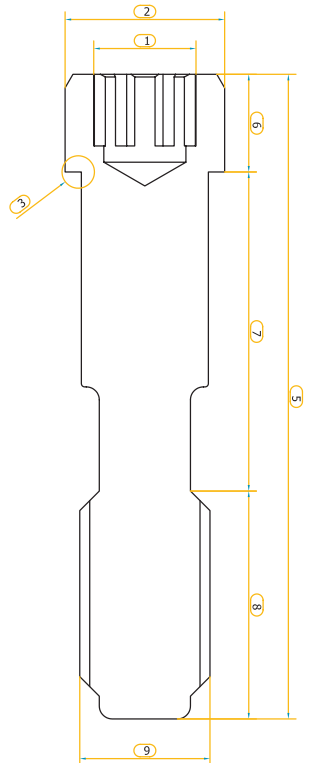
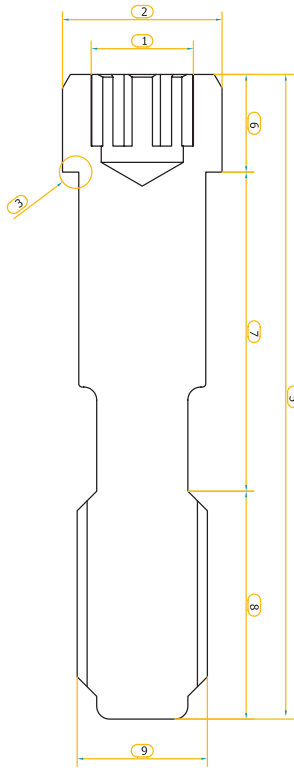


DESS USA SCREW SELECTION GUIDE



BRAND	IMPLANT SYSTEM	DESS CONNECTION	REF	DESCRIPTION	HEAD DIAMETER	HEAD BASE ANGLE	OVERALL LENGTH	HEAD LENGTH	DISTANCE FROM HEAD TO THREAD	THREAD LENGTH	THREAD KIND	TORQUE	DRIVER SOCKET				
Nobel Biocare®	Brånemark®	External Hex Universal	19.027	Screw UG NP	2,23	45°	7,35	2,00	2,60	2,75	M1,6	35 N/cm	Unigrip®				
			19.028	Screw UG RP	2,53	0°	7,35	1,42	3,12	2,81	M2,0	35 N/cm					
			19.029	Screw UG WP	2,85	0°	7,10	1,40	2,70	3,00	M2,5	35 N/cm					
			19.101	Screw UG NP flat seat	2,23	0°	7,35	1,90	2,70	2,75	M1,6	35 N/cm					
			19.227	DLC Screw UG NP	2,23	45°	7,35	2,00	2,60	2,75	M1,6	35 N/cm					
			19.228	DLC Screw UG RP	2,53	0°	7,35	1,42	3,12	2,81	M2,0	35 N/cm					
			19.229	DLC Screw UG WP	2,85	0°	7,10	1,40	2,70	3,00	M2,5	35 N/cm					
	Replace® Select	Tri-lobed	19.004	Screw UG NP	2,45	0°	8,30	1,70	4,00	2,60	M1,8	35 N/cm					
			19.005	Screw UG RP and WP	2,45	0°	9,90	1,50	4,90	3,50	M2,0	35 N/cm					
			19.204	DLC Screw UG NP	2,45	0°	8,30	1,70	4,00	2,60	M1,8	35 N/cm					
			19.205	DLC Screw UG RP and WP	2,45	0°	9,90	1,50	4,90	3,50	M2,0	35 N/cm					
			Active® / Replace® Conical Connection	Active Hex	19.027	Screw UG NP	2,23	45°	7,35	2,00	2,60	2,75		M1,6	35 N/cm		
					19.030	Screw UG RP	2,53	54°	7,35	1,57	2,97	2,81		M2,0	35 N/cm		
	19.068	Screw UG 3.0			1,82	55°	6,72	1,82	2,45	2,45	M1,4	15 N/cm					
	19.227	DLC Screw UG NP			2,23	45°	7,35	2,00	2,60	2,75	M1,6	35 N/cm					
	19.230	DLC Screw UG RP			2,53	54°	7,35	1,57	2,97	2,81	M2,0	35 N/cm					
	Straumann®	Tissue Level	Octagon	19.009	Screw "Torx®" on abutment	2,50	45°	4,50	1,20	0,00	3,30	M2,0		15 N/cm	TORX® 06		
				19.026	Screw "Torx®"	2,58	75°	6,70	3,20	1,68	2,00	M2,0		35 N/cm			
				19.070	Screw "Torx®" NNC	2,10	75°	7,10	1,85	3,35	1,70	M1,6		35 N/cm			
19.102				Screw "Torx®" flat seat	2,40	0°	7,50	1,55	3,25	2,70	M2,0	35 N/cm					
19.103				Screw "Torx®" flat seat (on abutment)	2,50	0°	5,10	1,55	0,00	3,55	M2,0	15 N/cm					
Bone Level		Conical BL	19.032	Screw Torx NP	2,20	75°	7,85	2,31	3,84	1,70	M1,6	35 N/cm					
			19.033	Screw Torx RP	2,20	75°	7,85	2,31	3,84	1,70	M1,6	35 N/cm					
			19.037	Screw Torx NC/RC	2,20	75°	7,85	2,31	3,84	1,70	M1,6	35 N/cm					
			19.041	Screw "Torx®" on abutment	2,20	45°	4,50	1,60	0,30	2,60	M1,4	15 N/cm					
			19.098	Screw for SRA	2,20	55°	3,65	1,65	0,20	1,80	M1,4	15 N/cm					
			19.104	Screw "Torx®" flat seat	2,20	0°	8,15	1,55	4,90	1,70	M1,6	35 N/cm					
			19.105	Screw "Torx®" flat seat (on abutment)	2,20	0°	4,50	1,50	0,00	3,00	M1,4	15 N/cm					
			Dentsply Sirona®	Osseospeed™	Internal Hex Conic	19.015	Screw hexagonal 1,27mm NP (3,0)	2,10	30°	7,50	2,00	3,00	2,50	M1,4		15 N/cm	HEX .050 1.27
						19.016	Screw hexagonal 1,27mm RP	2,35	0°	8,25	2,00	3,22	3,02	M1,6		20 N/cm	
19.017	Screw hexagonal 1,27mm WP	2,35				0°	8,30	2,00	4,80	3,50	M2,0	25 N/cm					
19.018	Screw on abutment hexagonal 1,27mm	2,30				0°	4,80	1,90	0,00	2,90	M1,4	15 N/cm					
Astra EV	Conic EVO	19.058		Screw hex. 1,27mm on Uniabutment EV	2,35	18°	4,49	1,71	0,00	2,50	M1,8	15 N/cm					
		19.059		Screw hexagonal 1,27mm EV 3.6	2,15	60°	7,46	2,12	1,34	4,00	M1,6	25 N/cm					
		19.060		Screw hexagonal 1,27mm EV 4.2	2,35	40°	7,64	1,85	1,79	4,00	M1,8	25 N/cm					
Xive®	Internal Hex FD	19.061		Screw hexagonal 1,27mm EV 4.8	2,35	0°	7,60	1,60	2,00	4,00	M2,0	25 N/cm					
		19.024		Screw hexagonal 1,22mm	2,10	45°	9,80	3,06	3,29	3,45	M1,6	25 N/cm					
Ankylos® C/X	Internal ANK	19.048		Screw hexagonal 1,00mm	2,35	60°	7,87	2,37	2,40	3,10	M1,8	15 N/cm	HEX .048 1,22mm				
		19.050		Screw hexagonal 1,00mm	2,35	60°	9,37	2,02	3,95	3,40	M1,8	15 N/cm	Hex 1,00mm				
Zimmer -Biomet®	3i™ Osseotite®	External Hex USA	19.034	Screw hexagonal 1,20mm	2,55	0°	7,85	1,65	0,70	5,50	M2,0	20 N/cm	HEX .048 1,20mm				
			19.011	Screw hexagonal 1,20mm	2,00	0°	8,40	1,90	3,80	2,70	M1,6	20 N/cm					
	Screw-Vent®	Internal Hex USA	19.012	Screw hexagonal 1,27mm	2,30	19°	8,20	2,55	2,98	2,60	UNF 1-72	30 N/cm	HEX .050 1.27				
			19.042	Screw hexagonal 1,27mm	1,95	19°	8,20	2,49	2,95	2,76	UNF 1-72	30 N/cm					

DESS USA SCREW SELECTION GUIDE



BRAND	IMPLANT SYSTEM	DESS CONNECTION	REF	DESCRIPTION	HEAD DIAMETER	HEAD BASE ANGLE	OVERALL LENGTH	HEAD LENGTH	DISTANCE FROM HEAD TO THREAD	THREAD LENGTH	THREAD KIND	TORQUE	DRIVER SOCKET	
Camlog®	Camlog® system	Internal CAM	19.044	Screw hexagonal 1,27mm NP	2,10	45°	10,45	2,35	4,60	3,50	M1,6	20 N/cm	HEX .050 1.27	
			19.045	Screw hexagonal 1,27mm WP	2,50	45°	10,45	2,35	4,60	3,50	M2,0	20 N/cm		
Megagen®	AnyRidge®	Conic ANYR	19.057	Screw hexagonal 1,20mm	2,10	0°	8,00	2,00	2,78	3,22	M1,8	35 N/cm	HEX .048	
Hiossen Implant®	ETI/ TS®	Conic OSS	19.066	Screw hexagonal 1,28mm MUA	2,30	45°	5,00	1,93	0,57	2,50	M1,8	10 N/cm	HEX .048	
			19.072	Screw hexagonal 1,22mm Mini	2,22	45°	10,18	2,67	5,41	2,10	M1,6	20 N/cm		
			19.073	Screw hexagonal 1,22mm Standard	2,33	45°	8,35	2,60	2,95	2,80	M2,0	30 N/cm		
Multiunit	Multiunit	Multiunit	19.006	Screw UG on Multi-Unit® RP	2,00	0°	3,45	1,35	0,00	2,10	M1,4	15 N/cm	Unigrip®	
			19.031	Screw UG on Multi-Unit® WP	2,50	0°	4,35	1,65	0,00	2,70	M1,8	15 N/cm	Unigrip®	
			19.106	Screw H1,20 on 3i® Munit® RP	2,25	0°	4,48	1,75	0,53	2,20	M1,4	10 N/cm	HEX .048	
			19.110	Screw H1,27mm on Multi-Unit® RP	2,00	0°	3,45	1,35	0,00	2,10	M1,4	15 N/cm	HEX .050	
			19.206	DLC Screw UG on Multi-Unit® RP	2,00	0°	3,45	1,35	0,00	2,10	M1,4	15 N/cm	Unigrip®	
			19.231	DLC Screw UG on Multi-Unit® WP	2,50	0°	4,35	1,65	0,00	2,70	M1,8	15 N/cm	Unigrip®	
			19.501	DLC screw replacement for ref. 41.701/x	2,45	0°	6,00	0,60	2,70	2,70	M1,6	20 N/cm	Unigrip®	
			19.502	DLC screw for ref. 41.702/x & 43.002/x	2,45	0°	6,00	0,60	2,90	2,50	M2,0	20 N/cm	Unigrip®	
			19.504	DLC screw replacement for ref. 41.704/x	2,45	0°	7,15	0,60	3,90	2,65	M1,8	35 N/cm	Unigrip®	
	19.505	DLC screw for ref. 41.705/x & 43.005/x	2,45	0°	9,00	0,60	4,90	3,50	M2,0	20 N/cm	Unigrip®			
	19.507	DLC screw for ref. 41.707/x & 43.007/x	2,45	0°	6,70	0,60	2,78	3,32	M1,6	35 N/cm	Unigrip®			
	19.508	DLC screw for ref. 41.708/x & 43.008/x	2,45	0°	6,40	0,60	3,30	2,50	M2,0	20 N/cm	Unigrip®			
	19.519	Screw for ref. 41.719/x & 43.019/x	2,45	0°	6,00	0,60	2,80	2,60	UNF 1-72	30 N/cm	HEX .050			
	19.544	Screw ref. 41.743-44/x & 43.043-44/x	2,45	0°	7,20	0,60	2,85	3,75	M1,6	35 N/cm	TORX® 06			
	DESS AngleBase®	DESS AngleBase®	DESS AngleBase®	19.401	Screw for DESS AngleBase M1,6	2,10	0°	6,10	1,40	2,50	2,20	M1,6	35 N/cm	TORX® 06 Ball Angle Screw Channel Driver
				19.402	Screw for DESS AngleBase M2,0	2,50	0°	5,90	1,40	1,69	2,81	M2,0	35 N/cm	
				19.404	Screw for DESS AngleBase M1,8	2,30	0°	7,20	1,40	3,55	2,25	M1,8	35 N/cm	
				19.405	Screw for DESS AngleBase M2,0	2,45	0°	8,05	1,40	4,60	2,05	M2,0	35 N/cm	
19.417				Screw for DESS AngleBase UNF-1-72	2,30	0°	4,90	1,40	2,90	2,00	UNF 1-72	30 N/cm		
19.425				Screw for DESS AngleBase M2,0	2,45	0°	8,90	1,40	5,45	2,05	M2,0	25 N/cm		
19.438				Screw for DESS AngleBase M1,6	2,10	0°	7,90	1,40	4,50	2,00	M1,6	25 N/cm		
19.441				Screw for DESS AngleBase M1,6	2,10	0°	7,30	1,40	3,70	2,20	M1,6	35 N/cm		
19.442				Screw for DESS AngleBase M2,0	2,45	0°	7,20	1,40	3,75	2,05	M2,0	35 N/cm		
19.443				Screw for DESS AngleBase M1,6	2,10	0°	8,15	1,40	4,75	2,00	M1,6	35 N/cm		
19.444				Screw for DESS AngleBase M1,6	2,10	0°	9,20	1,40	5,60	2,20	M1,6	20 N/cm		
19.446				Screw for DESS AngleBase M2,0	2,45	0°	6,70	1,40	3,25	2,05	M2,0	35 N/cm		
19.460				Screw for DESS AngleBase M1,8	2,30	0°	7,42	1,40	4,02	2,00	M1,8	25 N/cm		
19.461				Screw for DESS AngleBase M2,0	2,45	0°	7,75	1,40	4,30	2,05	M2,0	25 N/cm		

